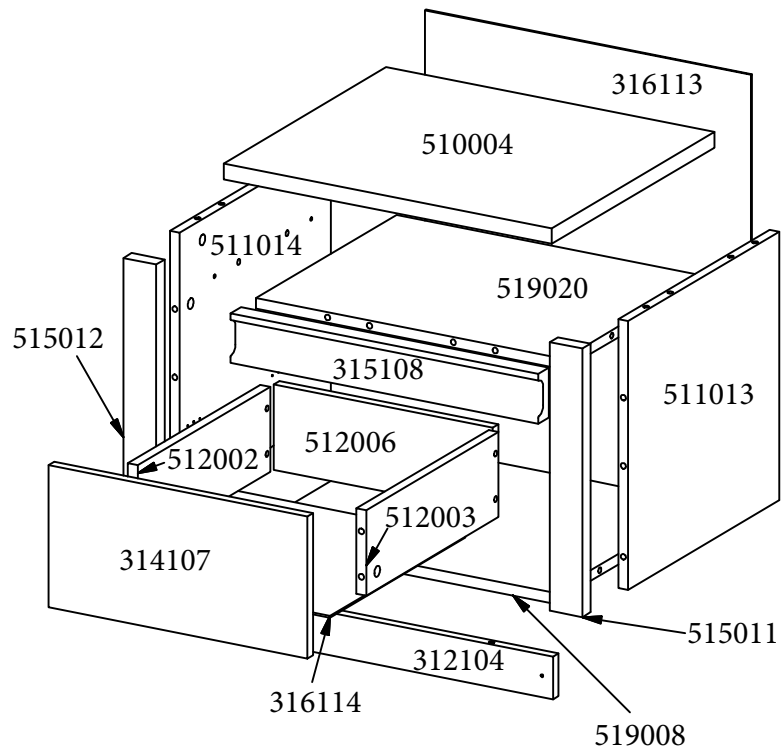
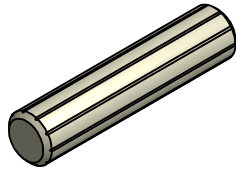


MONTANA SN



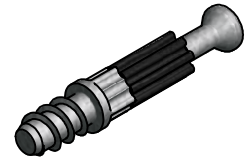
A

x 20
(8x36)



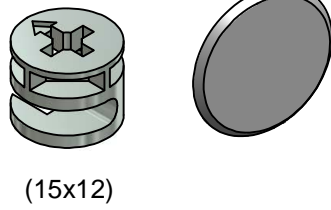
B

x 20



C

x 20



(15x12)

E

x 30



G

x 4



H

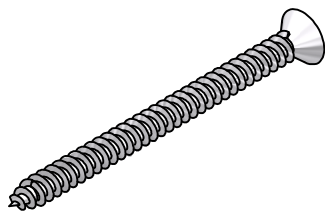
x 8



(3,5 x 16)

M

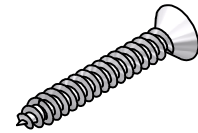
x 4



(4 x 55)

K

x 2

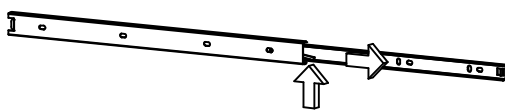


(4 x 30)

P

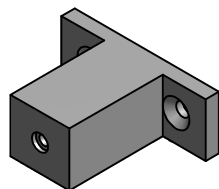
x 1 kpl

(350 mm)



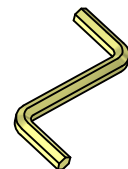
S

x 4

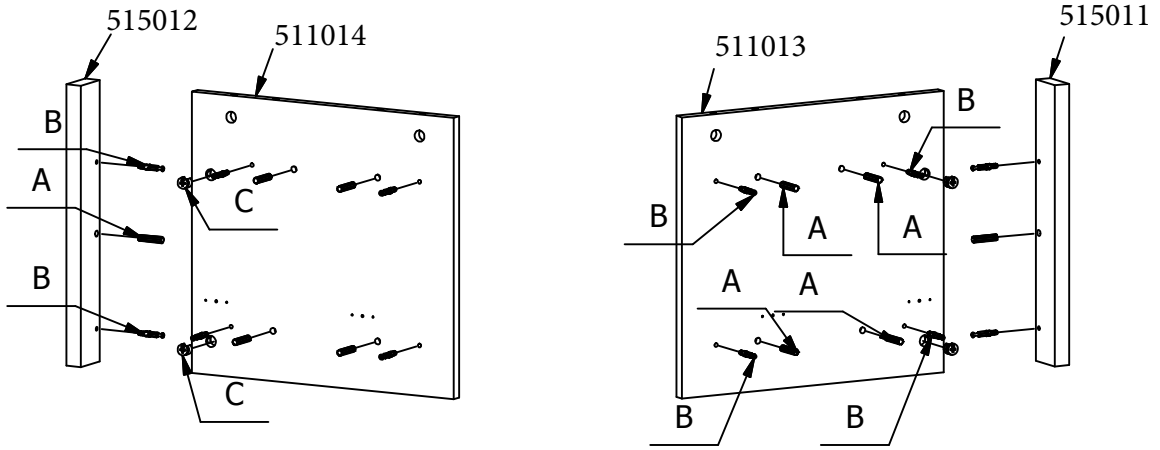


Z

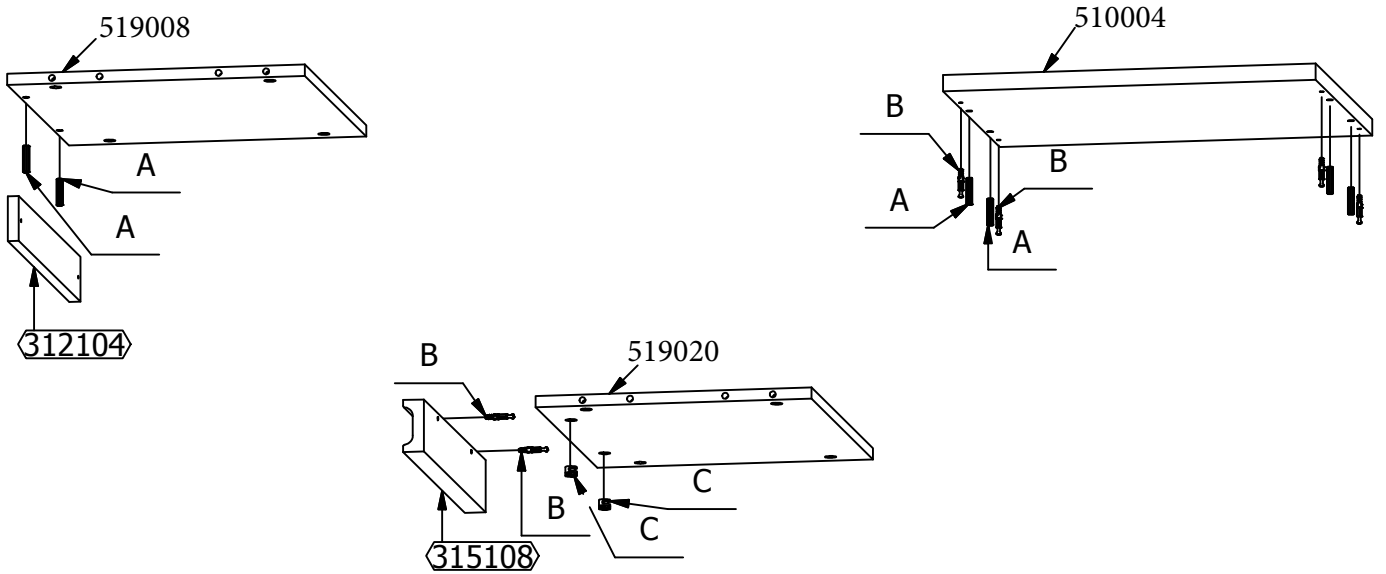
x 1



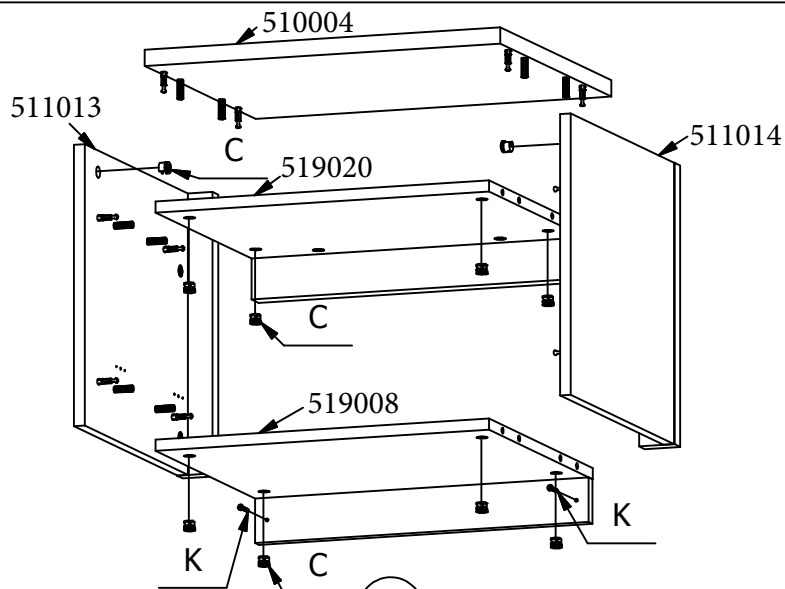
1



2



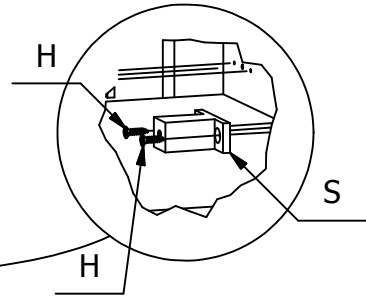
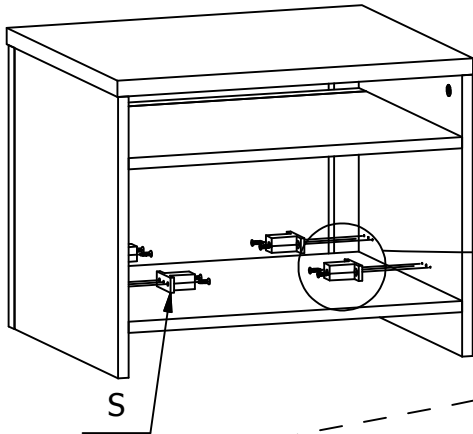
3



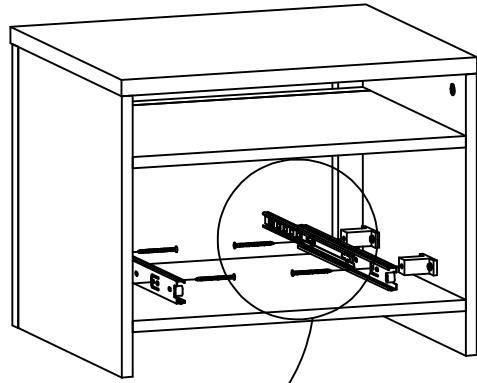
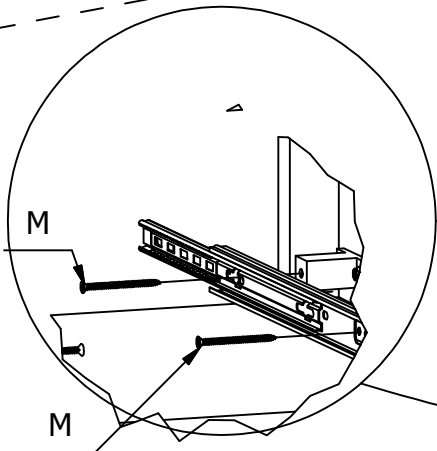
3

4

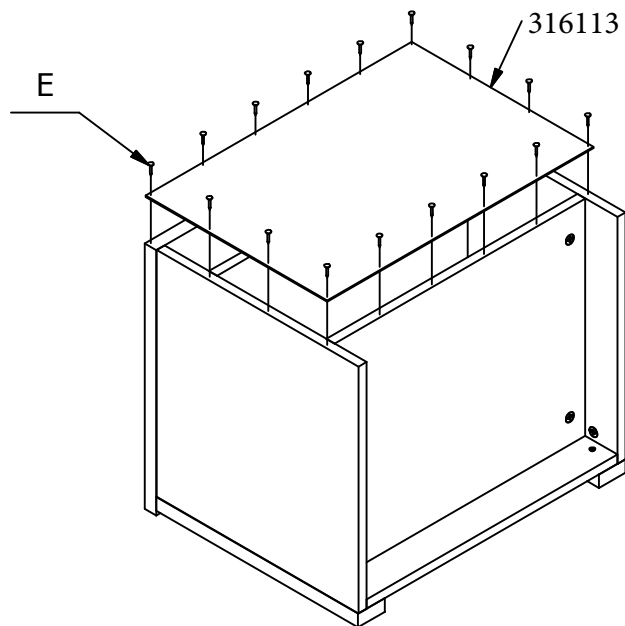
I



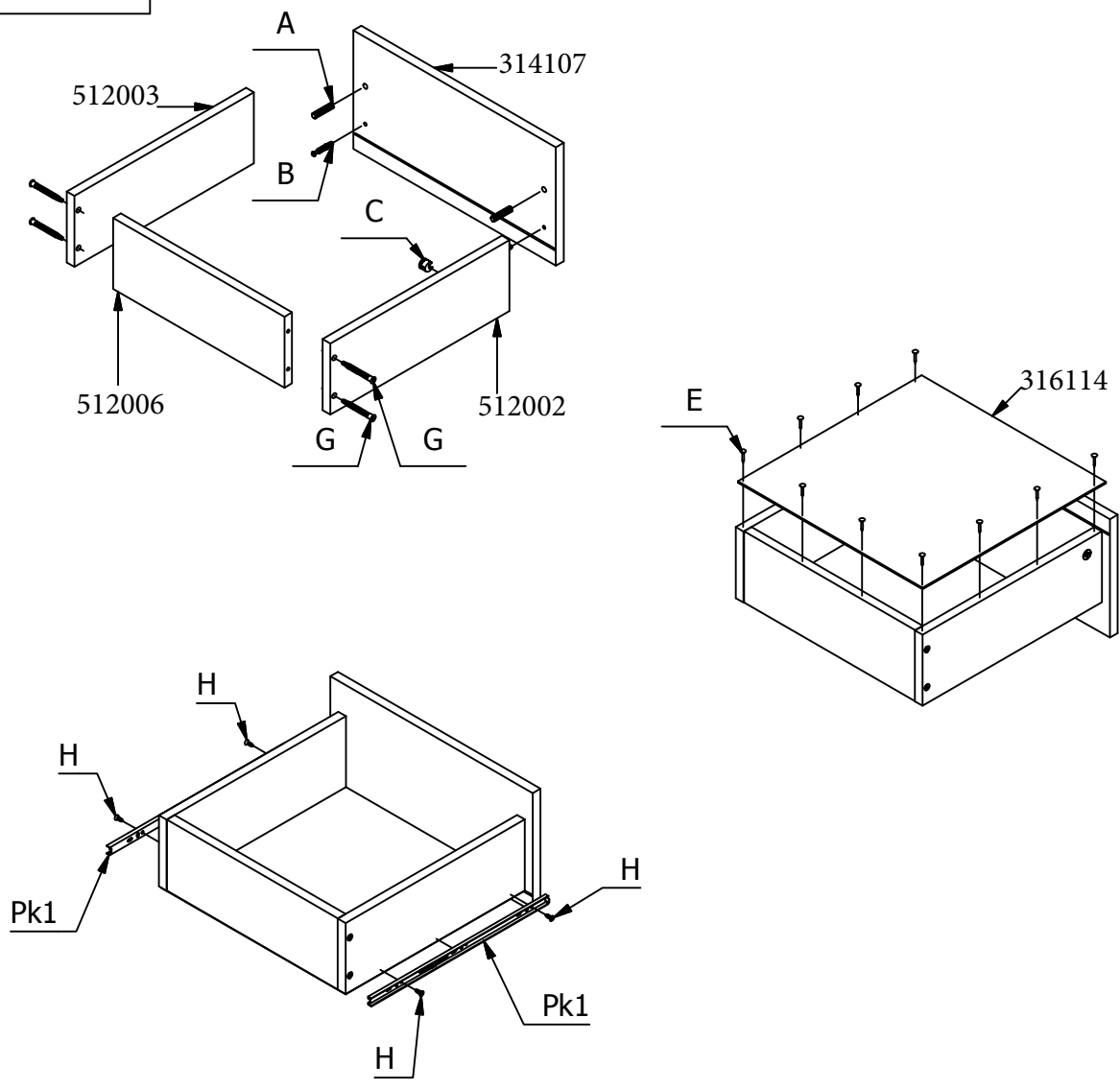
II



5



6



7

